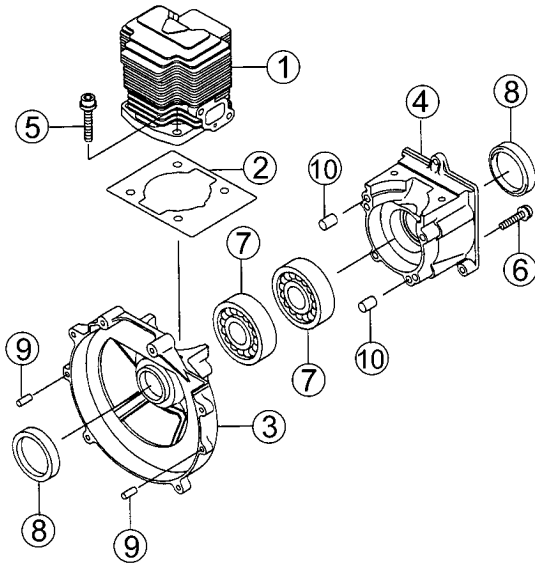
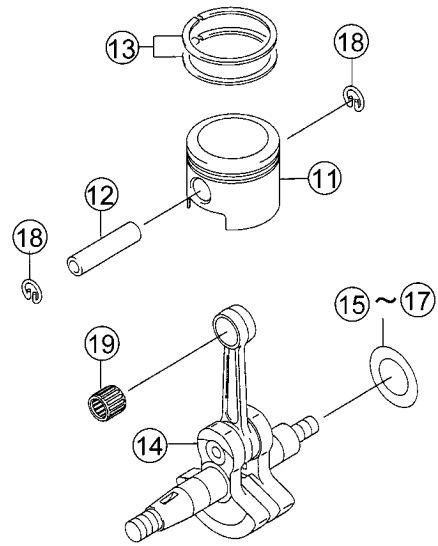


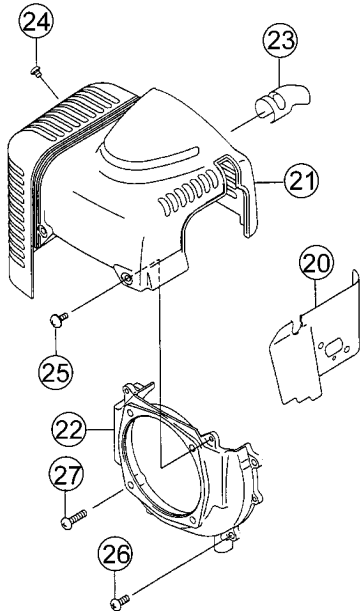
SYLINDER & CRANKCASE SYSTEM



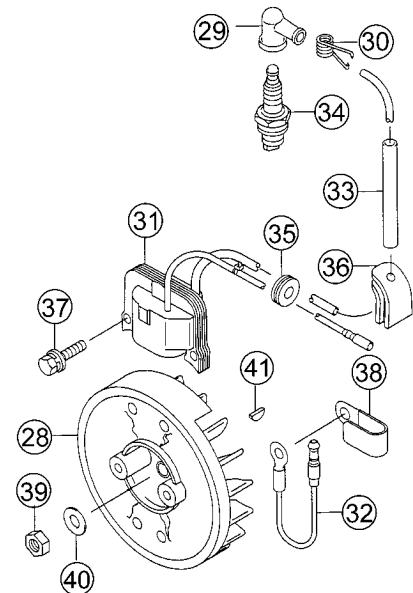
PISTON & CRANKSHAFT SYSTEM



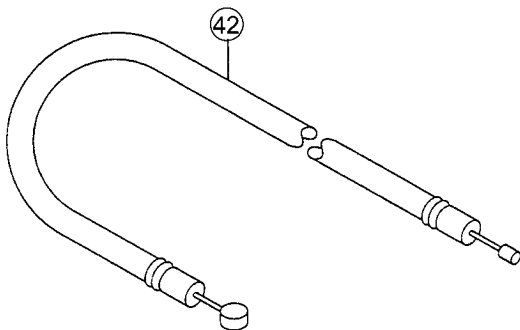
COOLING-EQUIPMENT SYSTEM



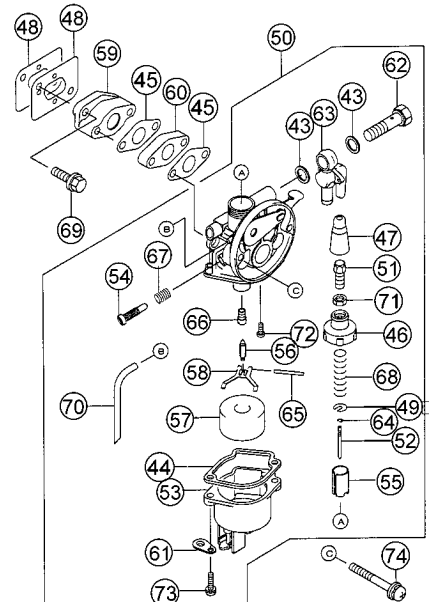
ELECTRIC-EQUIPMENT SYSTEM



CONTROL-EQUIPMENT SYSTEM



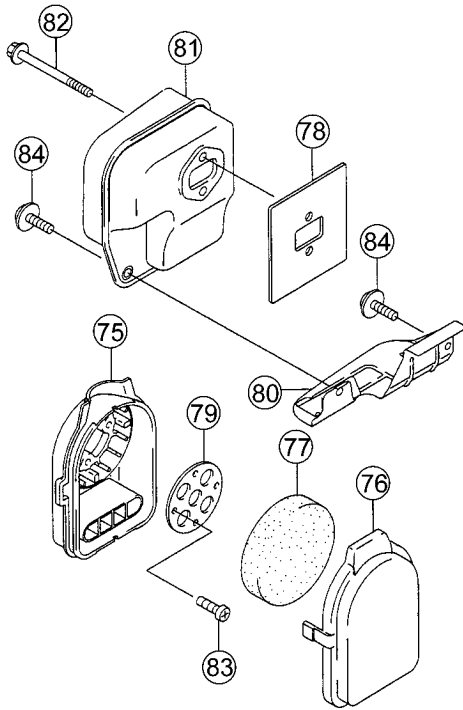
CARBURETOR SYSTEM



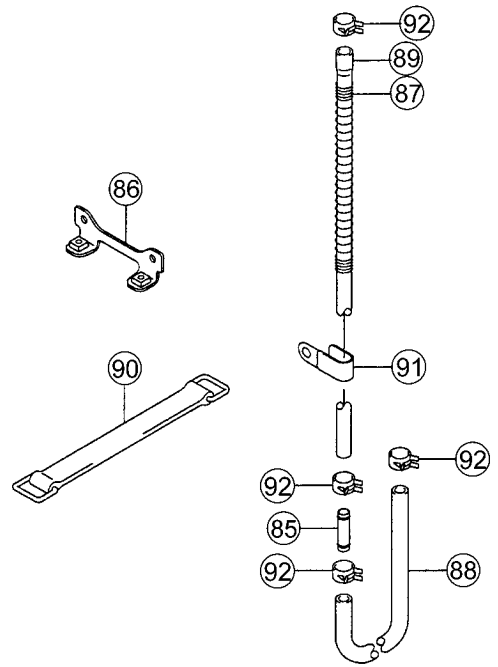
BRUSH CUTTER

MODEL RKB-43

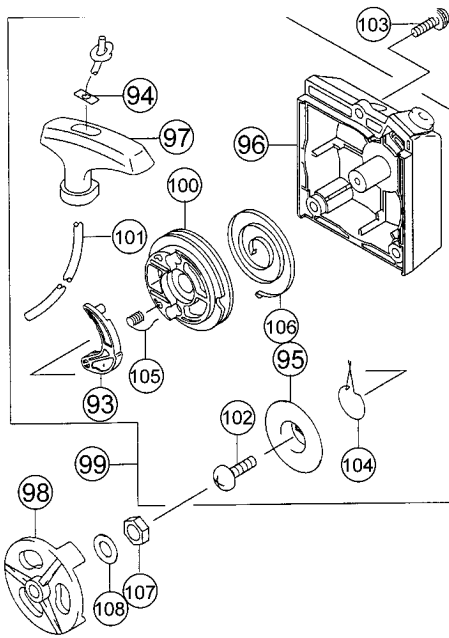
AIR-FILTER & MUFFLER SYSTEM



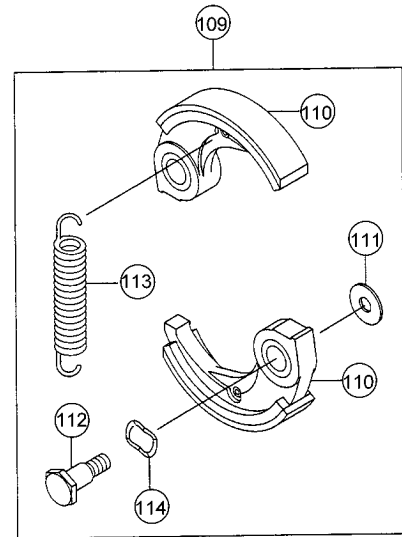
FUEL-TANK & FUEL-VALVE SYSTEM



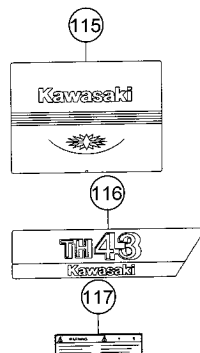
STARTER SYSTEM



P.T.O.-EQUIPMENT SYSTEM



LABEL SYSTEM



BRUSH CUTTER RKB-43

